

FEATURES

- Low Dissipation Factor, MAX 3% at 1KHz
- Specially produced for Cross-Over Networks with high fidelity audio system
- The WMK is made with a smooth foil to allow for low loss.
- Smooth electrolytic capacitors (ECap plain) are made from unetched and thus lower-loss films.
- The smooth foil also provides better performance and sonic properties for audio application

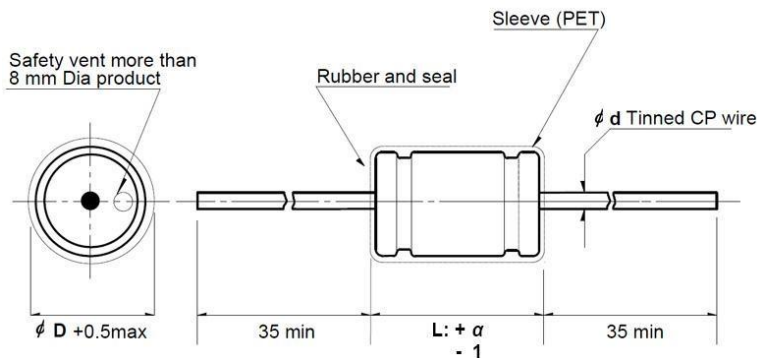
Note 1: Other Dissipation Factor 3%, 4%, 6%, 7%, 8%, 9%, 10%, 12% are available on request.

Note 2: The sleeve (PET) color of the product differs from batch to batch, so there will be slight color difference. Thank you.

WEE Technology WMK Bi Polar and Non Polar Axial 1KHZ DF 3% Smooth Plain Foil Aluminum Electrolytic Capacitors for Audio and Hifi System. Best replacement for JANTZEN AUDIO PREMIUM ELKO SMOOTH FOIL ELECTROLYTIC CAPACITOR.

Bipolar electrolytic capacitors, also called audio frequency electrolytic capacitors, have a second anode foil which makes them AC voltage resistant and thus suitable for music signals. Rough electrolytic capacitors (E-Cap raw) have foils whose surfaces have been roughened by a special etching process and thus enlarged. Smooth electrolytic capacitors (E-Cap plain), on the other hand, are made from un-etched and thus lower-loss films.

DRAWING (mm)



ϕD	6	8	10	13	16	18	22	25
ϕd	0.6	0.6	0.6	0.6	0.8	0.8	0.8	0.8
α	0.8	0.8	1.5	2.0	2.0	2.0	2.0	2.0

PICTURE



SPECIFICATIONS

Operating Temperature Range (°C): -40°C ~ +105°C

Capacitance Tolerance : ±5% (J), ±10% (K) at 1KHZ

Voltage Range: 50V, 100V.DC

Leakage Current: MAX. 0.03CV + 3µA After 5 minutes application of rated working voltage

Load Life: After 1,000 hours application of rated voltage at 105 ±2°C, capacitors meet the characteristics requirement listed at right.

(a) Capacitance change: Within ±25% of initial

(b) Tan δ: 200% or less of initial specified

(c) Leakage current : Install specified value or less

MAX Dissipation Factor: MAX 3% at 1KHZ

SIZE TABLE (mm) : Diameter (DØ) x Length (L) m/m

V.DC	50 V	100 V	V.DC	50 V	100 V
µf	D x L	D x L	µf	D x L	D x L
1.0	13 x 27	13 x 27	6.8	16 x 43	16 x 43
2.2	13 x 32	13 x 32	8.2	18 x 44	18 x 44
3.3	16 x 34	16 x 34	10	22 x 45	22 x 45
3.9	16 x 38	16 x 38	12	25 x 47	25 x 47
4.7	16 x 38	16 x 38	15	25 x 52	25 x 52

Note: Other Values are available on request. WEET is capable of doing custom service for you.



WEE Technology Company Limited
ROOM 1405, 14/F, LUCKY CENTRE,
171 WANCHAI ROAD,
WANCHAI, HONG KONG
www.musicaps.com
sales@musicaps.com

All details in this data sheet are subject to change without notice.
For more details and updates, please visit our website.

Copyright © 2000 WEE Technology, All rights reserved.

